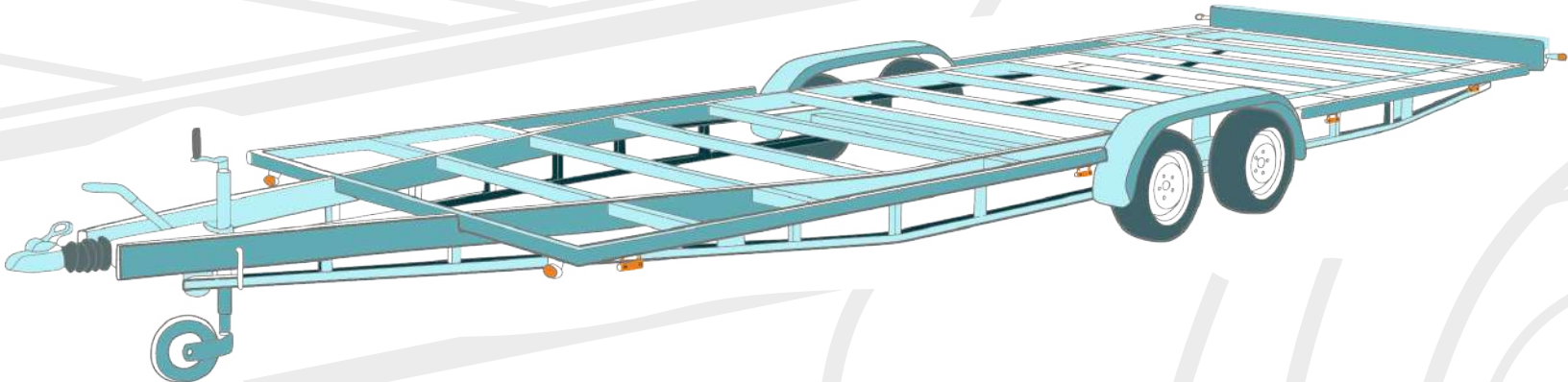
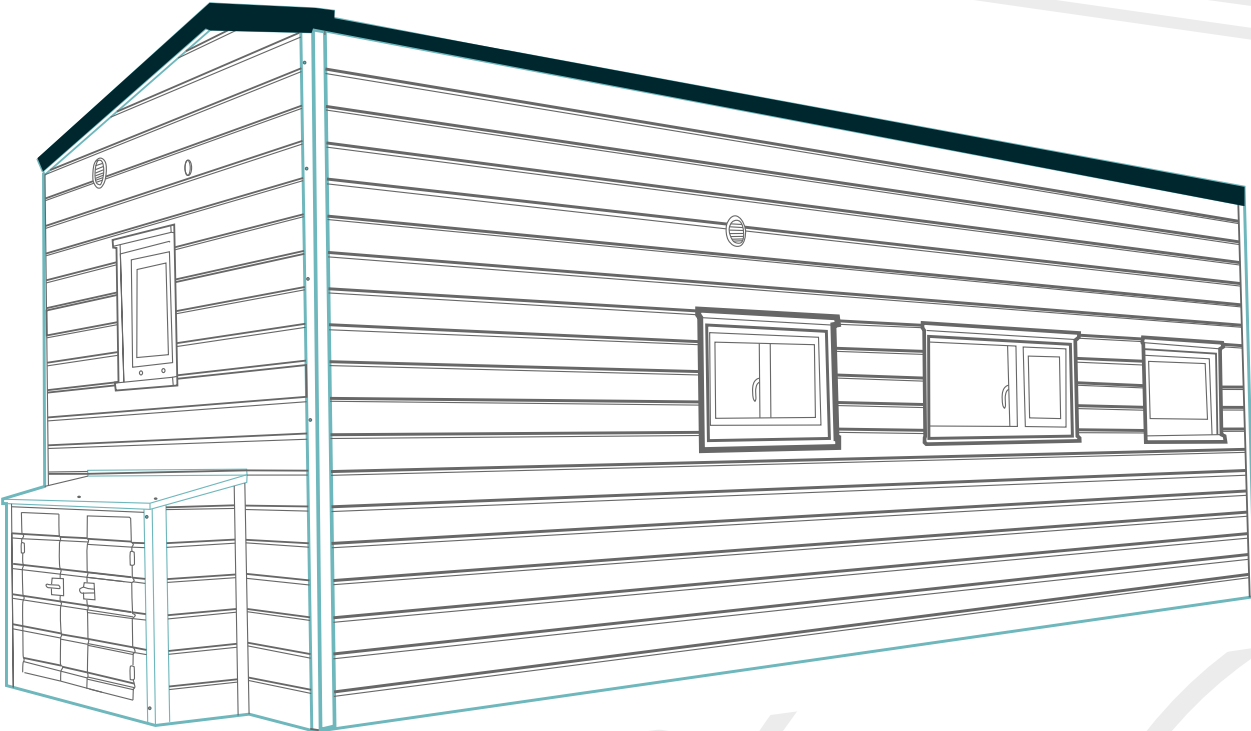




TRAILERS FOR MOBILE
HOUSES





OFFICIAL MOBI HOUSE TRAILER PRODUCER

Dear Customers, we would like to inform you that Mobi House is the official tiny house trailer manufacturer.

All our projects are created using the Mobi House platform on the highest quality **KNOTT** components .

We want to share our experiences and help do-it-yourselfers and manufacturers have the best under-body trailer solutions available on the market. We encourage you to work with us!!!

Full road homologation of the Mobi House trailer allows it to be used throughout Europe.

In order to register the platform, you need a certificate of conformity (C.O.C.), issued by the manufacturer in English and a "Statement of data and information about the vehicle", also obtained from the manufacturer.



THE MOBI HOUSE BRAND

Today, Mobi House is a leading tiny house producer in Poland exporting its products to many European countries.

After years of building mini homes on wheels and the experience gained over this period, Mobi House has also officially become a manufacturer of professional underbody chassis!

The trailers are designed by people who build mobile homes every day and they have done their best to make them as suitable as possible in terms of ease, safety and speed of assembly. The platforms are built in accordance with the high-strength European standards that small houses require in order to connect the building securely and to have a stable foundation.

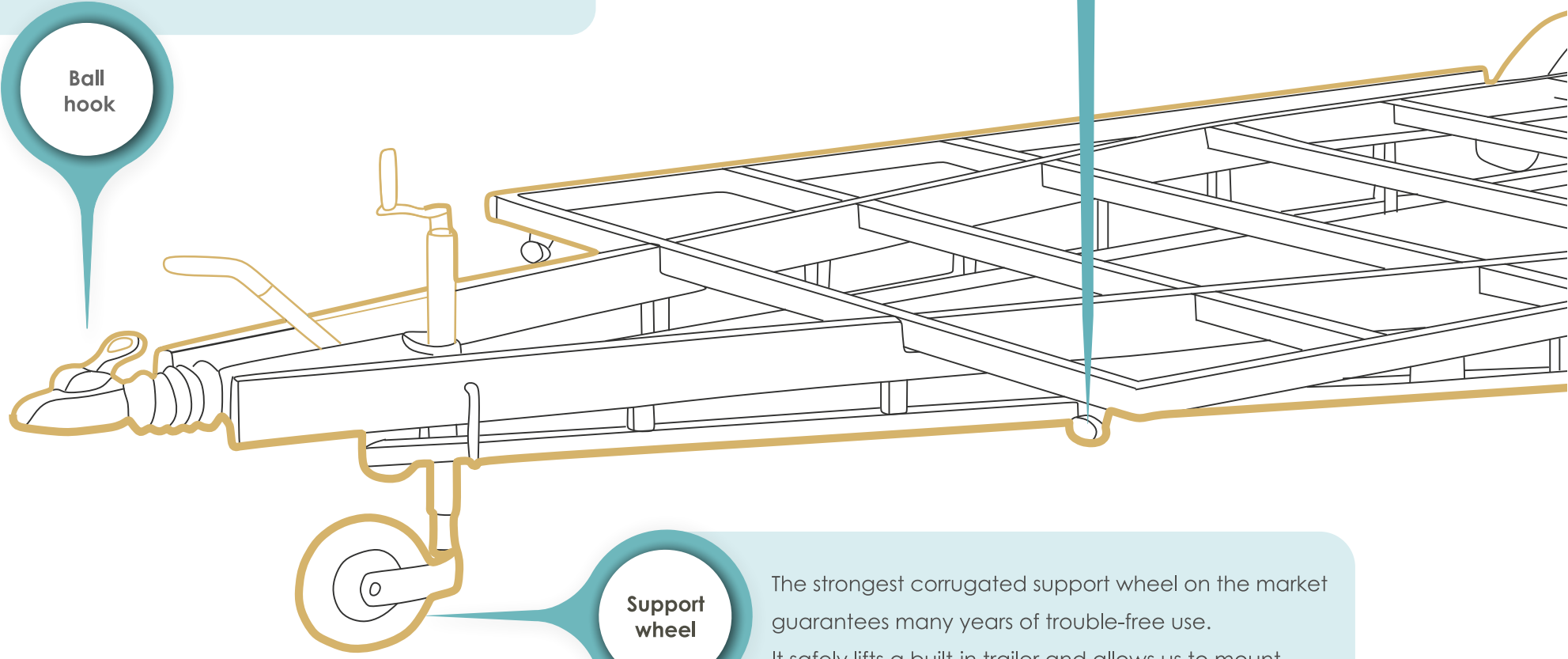


The cables of the lighting installation are fixed on special rods, so that we have easy access in case of failure or when making changes.

Electrical system

Our offer is based on Knott subassemblies. We have the highest quality ball couplings with ball pressure parameters **from 150 to 350 kg.**

Ball hook



Support wheel

The strongest corrugated support wheel on the market guarantees many years of trouble-free use. It safely lifts a built-in trailer and allows us to mount to the hook at different heights.

Lifetime

The hot-dip galvanized frame and all chassis components provide maximum reliable protection against corrosion.

This solution guarantees the location of lighting in two height positions as a trailer and as a vehicle and allows you to extend the installation area of the house by up to 120cm.

Movable rear light bar

Movable axle module

With the movable support and cybants we can move the axles to set an appropriate pressure on the hook balls and individual axes once the house is built in.

OUR OFFER

Our basic offer includes the most popular tiny house chassis **with fenders on the side with low floor (TH model)** and with wheels under, **a little higher but with flat floor for installation (THP model)**.

We are the only company in Europe to design a modular, detachable **LIFT&GO chassis (THM model)** with which we legally transport and treat a tiny house as a cargo on a special trailer for transport.

All offered trailers are available in two and three axle versions and in various sizes.

Despite such a wide range of products on offer, we are still open to carry out individual projects on customer request.

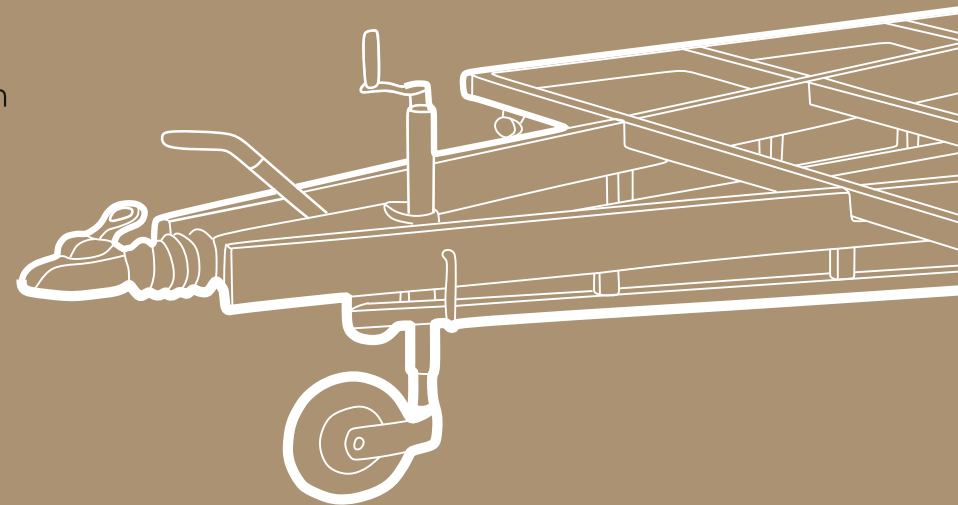
USE

The way you want to use the Mobi House chassis, dedicated tiny house, is entirely up to you.

TheMobi House chassis can serve as:

- **development:** for all-year-round residential, commercial and service, catering purposes.
- **transport:** of goods, specialized machinery or equipment.

Contact us and we will help you choose the most suitable chassis for your purposes.



TH model



THP model



THM model



TYPES OF FRAMES

In our offer we distinguish the following frames:

■ **Standard**

where the axles, drawbar and lighting bar are permanently attached to the main frame, the basic dimensions of the TH and THP models are: **5.4 m, 6.0 m, 6.6 m, 7.2 m, 7.8 m, 8.4m**

■ **Modular. LIFT&GO Detachable, THM model**

They are available in a two-axle version in the following sizes **5.4 m, 6.0 m, 6.6 m**.

The standard frame from the trailers is designed for manufacturers to pass full-vehicle approval for their bodies without making changes to the chassis.

The modular LIFT&GO chassis, on the other hand, is a solution in which the chassis is used to transport the tiny house with the frame as cargo. Thanks to this, our customers will have no problem with transporting the tiny house on European roads, and they also do not need to make inspections along with the whole house.

Another important advantage is the possibility of having more houses, where no purchase is needed for each chassis design. This saves the cost of each homologated chassis, cost of inspections and insurance. Of course, when you buy one set of detachable chassis, it will be compatible with multiple frames of the same size, so we can attach different houses and transport them at any time.

TH



BASIC LENGTHS

5,4 m, 6,0 m, 6,6 m, 7,2 m, 7,8 m, 8,4 m

THP



5,4 m, 6,0 m, 6,6 m, 7,2 m, 7,8 m, 8,4 m

THM



5,4 m, 6,0 m, 6,6 m

With the retractable light bar, the total installation area can be extended by 1.2 m.

Transport

Customers can pick up the trailers themselves at Mobi House registered office, at dealers in many European countries or have them delivered to a specified address. Approximate cost of 0,5-0,7 EUR per 1 km (price depends on the address of destination and number of trailers delivered at one time).



LIFT & GO SYSTEM

INNOVATION BACKED BY MERIT

The **LIFT & GO** trailer is the only modular, detachable trailer solution offered in Europe. It is used for the legal movement and transport of the tiny house as cargo.

Why the disconnected form?

No matter how many frames with built-in mini homes you own, each will be compatible with your tiny house.

The advantage of this solution is that the trailer has a flat construction surface and low-profile design.

Being able to detach the small house from the trailer will remove all the stress of annual maintenance, releases the trailer to be used for other purposes.

Trailers can be kept in good shape by regular maintenance at your nearest service center. Watch the video on our YouTube channel to see how easy it is to separate the two parts of this trailer using manual jacks.



It consists of two parts:

1

Halogenated running gear

skeleton base with structural steel, axles, drawbar, lighting and number plate bar.



supports

for lifting the frame with bodywork when the trailer leaves one



clamps

guide and clamp the frame to the chassis with one



frame to chassis bolting point

with guide bushes for correct positioning



lightbar

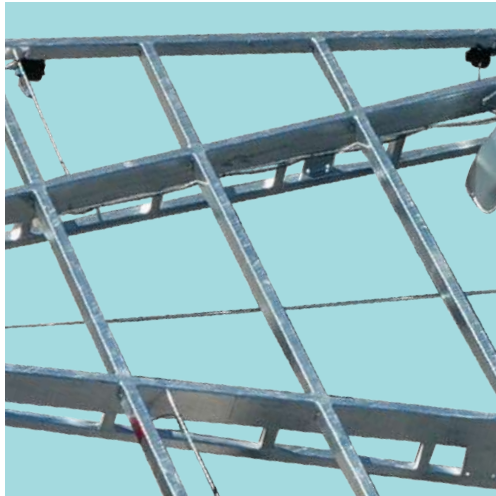
can be transferred from the frame to the self-propelled unit



2

Flat steel frame

removable from the chassis, used as the floor of your little house.



All profiles enclosed in the frame are bored which prevents the accumulation of water inside and additionally allows the zinc to flow inside, hence the protection against corrosion is definitely the highest. All offered frames are hot-dip galvanized both outside and inside the profiles.



The Knott support wheel used on the chassis offered is corrugated, this makes it much more stable and secure in the clamp. The body of the support wheel is fully hot-dip galvanized which makes it much more resistant to weather conditions and corrosion. Maximum static load of the Tk48 wheel with corrugated tube is 200kg.



Support wheel fastening in Knott's KFG35-D overrun device housing is the most powerful solution on the market.



Adjustable mount with side brackets



Externally mounted electrical system on an additional rack. This makes it easy to make repairs in the event of an emergency.

KNOTT COMPONENTS - THE HIGHEST QUALITY ON THE MARKET

KNOTT)))



Fender bracket can be moved independently of the axle - free choice of fenders.



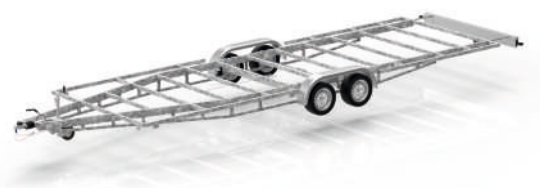
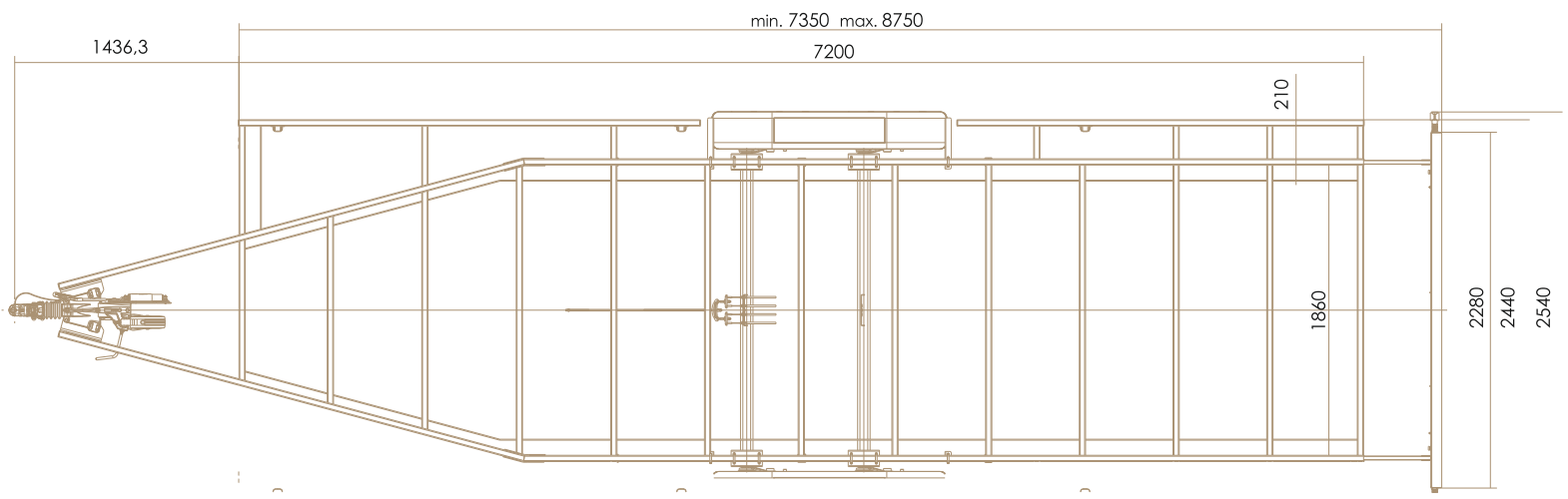
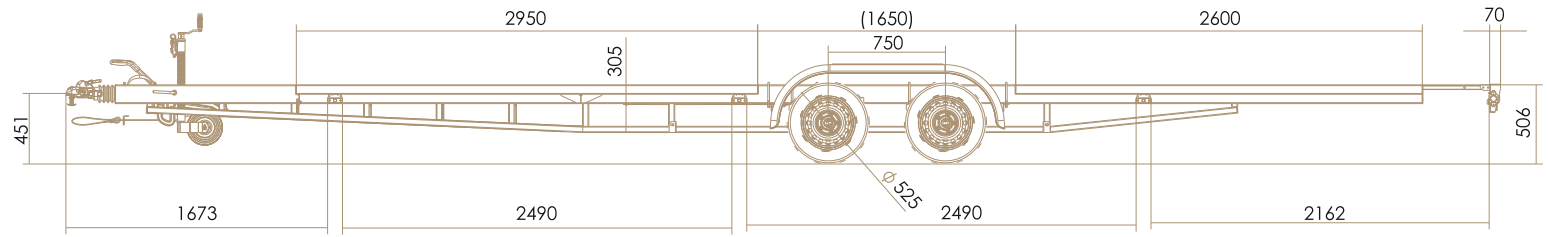
Adjustable axles to match the centre of gravity of the body. Plus a crossmember that allows you to mount the shock-absorber to the frame.



The body and trailer need a stable foundation. The dedicated reinforced supports we offer ensure safe and easy levelling of the entire structure.

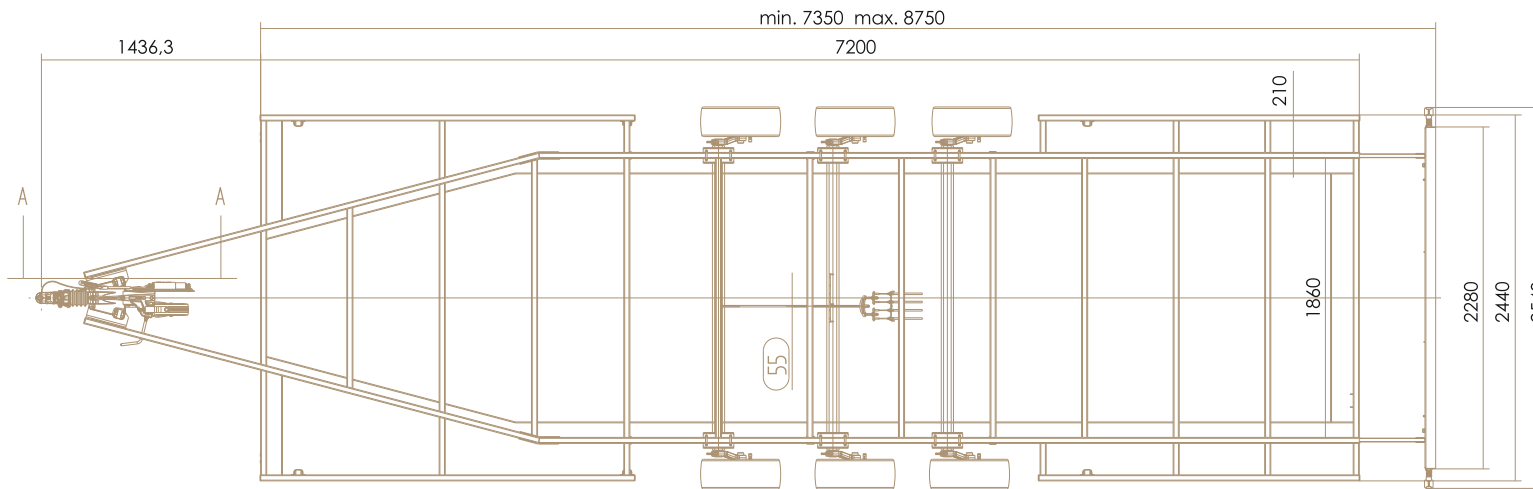
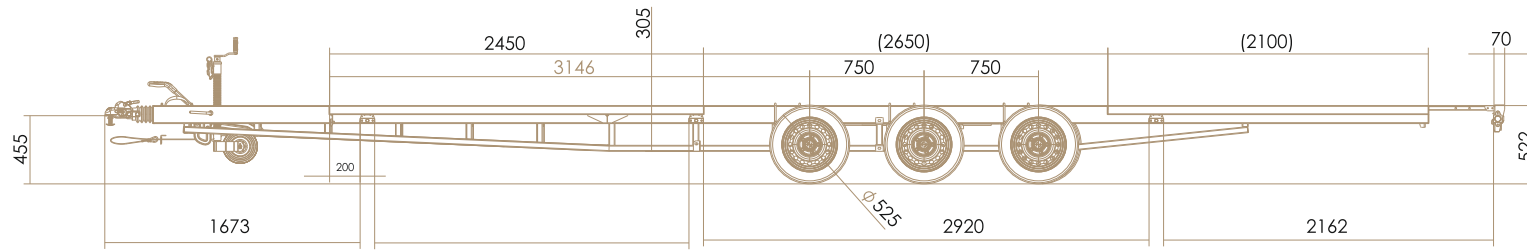
The lamp bracket can be pulled out or removed completely - depending on the needs and design of the installation.





| MODEL | LOAD | CAPACITY | LENGTH |
|--------|------|----------|--------|
| TH 540 | 3500 | 2920 | 540 |
| TH 600 | 3500 | 2890 | 600 |
| TH 660 | 3500 | 2870 | 660 |
| TH 720 | 3500 | 2850 | 720 |
| TH 780 | 3500 | 2820 | 780 |
| TH 840 | 3500 | 2800 | 840 |

DMC: 3500 kg
 Axles: 2xVGB18
 Overrun Devices: KFG35-L
 Frame: Hot dip galvanized



| MODEL | LOAD | CAPACITY | LENGTH |
|---------|------|----------|--------|
| THP 540 | 3500 | 2920 | 540 |
| THP 600 | 3500 | 2890 | 600 |
| THP 660 | 3500 | 2880 | 660 |
| THP 720 | 3500 | 2840 | 720 |
| THP 780 | 3500 | 2770 | 780 |
| THP 840 | 3500 | 2800 | 840 |

DMC: 3500 kg
Axles: 3xVGB13
Overrun Devices: KFG35-L
Frame: Hot dip galvanized

LOW FLOOR TRAILERS

| MODEL | | LENGTH [CM] | PLATFORM DIMENSIONS [CM] | HEIGHT [CM] | PAYLOAD [KG] |
|---------------|----------------|-------------|--------------------------|-------------|--------------|
| TH540 3500 KG | 2 X AS 1800 KG | 710 | 524x244 | 51 | 2920 |
| TH600 3500 KG | | 770 | 602x244 | | 2890 |
| TH660 3500 KG | | 830 | 662x244 | | 2870 |
| TH720 3500 KG | | 890 | 720x244 | | 2850 |
| TH780 3500 KG | | 950 | 780x244 | | 2820 |
| TH840 3500 KG | | 1010 | 840x244 | | 2800 |
| TH720 3500 KG | 3 X AS 1350 KG | 890 | 720x244 | | 2800 |
| TH780 3500 KG | | 950 | 780x244 | | 2780 |
| TH840 3500 KG | | 1010 | 840x244 | | 2760 |
| TH720 3500 KG | 3 X AS 1800 KG | 890 | 720x244 | | 2720 |
| TH780 3500 KG | | 950 | 780x244 | | 2680 |
| TH840 3500 KG | | 1010 | 840x244 | | 2670 |

FLAT FLOOR TRAILERS

| MODEL | | LENGTH [CM] | PLATFORM DIMENSIONS [CM] | HEIGHT [CM] | PAYLOAD [KG] |
|----------------|----------------|-------------|--------------------------|-------------|--------------|
| THP540 3500 KG | 2 X AS 1800 KG | 710 | 524x244 | 62 | 2920 |
| THP600 3500 KG | | 770 | 602x244 | | 2890 |
| THP660 3500 KG | | 830 | 662x244 | | 2880 |
| THP720 3500 KG | | 890 | 720x244 | | 2840 |
| THP780 3500 KG | | 950 | 780x244 | | 2810 |
| THP840 3500 KG | | 1010 | 840x244 | | 2800 |
| THP720 3500 KG | 3 X AS 1350 KG | 890 | 720x244 | | 2800 |
| THP780 3500 KG | | 950 | 780x244 | | 2770 |
| THP840 3500 KG | | 1010 | 840x244 | | 2750 |
| THP720 3500 KG | 3 X AS 1800 KG | 890 | 720x244 | | 2710 |
| THP780 3500 KG | | 950 | 780x244 | | 2680 |
| THP840 3500 KG | | 1010 | 840x244 | | 2670 |

LIFT&GO MODULAR TRAILERS

| MODEL | | LENGTH [CM] | PLATFORM DIMENSIONS [CM] | HEIGHT [CM] | PAYLOAD [KG] |
|---------------------------------------|----------------|-------------|--------------------------|-------------|--------------|
| 4 PIECES OF LEVELLING SUPPORTS | | | | | |
| THM540 3500 KG CHASSIS FRAME | 2 X AS 1800 KG | 710 | 542X244 | 62 | 2790 |
| THM600 3500 KG CHASSIS FRAME | 2 X AS 1800 KG | 770 | 602X244 | 62 | 2760 |
| THM660 3500 KG CHASSIS FRAME | 2 X AS 1800 KG | 830 | 662X244 | 62 | 2740 |

ACCESSORIES

SPECIFICATIONS

SPARE WHEEL 185/R14 900 KG - 6.2 Bar

SPARE WHEEL 195/50R13 900 KG - 6.2 Bar

SPARE WHEEL HOLDER WITH SCREWS

ALUMINIUM RIMS GREY 185/ R14 900 KG - 6.2 Bar

BLACK ALUMINIUM RIMS 185/ R14 900 KG - 6.2 Bar

ALUMINIUM RIMS GREY 185/ R14 900 KG - 6.2 Bar

2 WHEEL CHOCKS

4 PIECES OF LEVELLING SUPPORTS

CERTIFICATE OF CONFORMITY (COC) - NECESSARY FOR THE REGISTRATION OF TRAILERS

ACCOUNTABILITY / LEGALITY / RELIABILITY

In creating our chassis range we have tried to offer a comprehensive range of chassis to ensure that any application and choice is legal, legitimate and does not put our customers at risk of liability.

All certificates, approvals and solutions are legal and applicable in every European country. We are talking about the possibility of technical inspection and registration of chassis throughout Europe.

The choice of standard chassis in two versions that are suitable for full-vehicle approval or the LIFT&GO modular chassis for legally transporting houses as cargo is up to you. We offer you have full security and support in consulting.

TRUST MOBI HOUSE AND ENJOY THE DEVELOPMENT OF YOUR BUSINESS.

